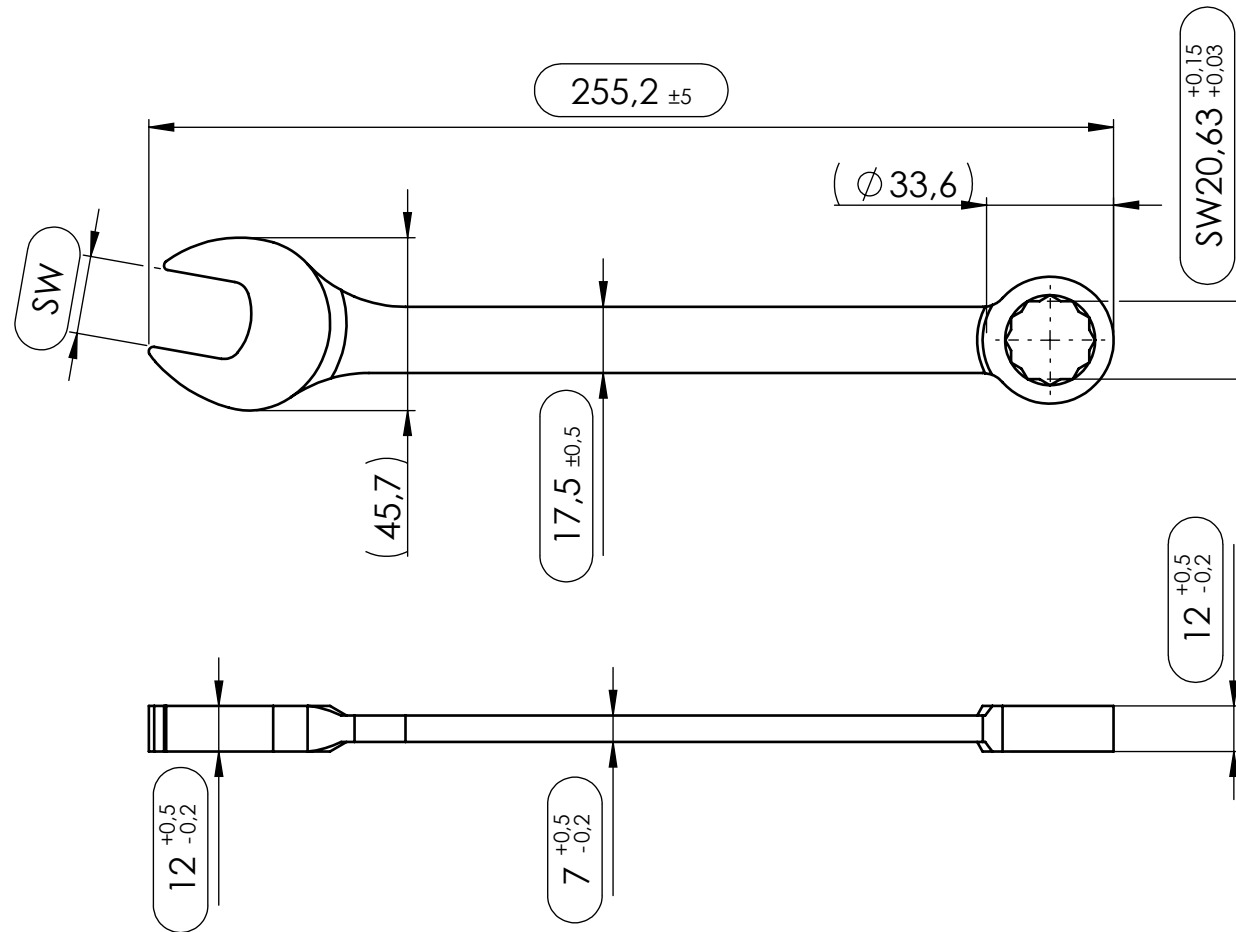


NON DISCLOSURE AGREEMENT

This drawing and / or specification contains information confidential and proprietary to SMT Schilling Metalltechnik GmbH Germany; and is conditionally loaned only. By retention, the receipt agrees not to reproduce or copy it in whole or in part, disclose any or all of its contents without prior written permission, or to make any use of it contrary to SMT Schilling Metalltechnik interest.

SMT - Werkzeichnung; entspricht nicht nach DIN



gehärtet HRC 47±3

		(Zul. Abweich.)	(Oberfl.)	Maßstab 1:2	Revision A
		<b>DIN ISO 2768m</b>	mattiert	(Werkstoff, Halbzeug, Rohteil-Modell-Gesenk-Nr.)	
				Material 1.4021	Abmessung FL 50x12x260
Toleranzen (mm) DIN ISO 2768m				BENENNUNG:	
bis 6	6-30	30-120	120-400	<b>Gabel-Ring Schlüssel 13/16"</b>	
± 0.1	± 0.2	± 0.3	± 0.5 ± 0.8		
				ZEICHNUNGSNR.	
				30-06-86-1802	
				Blatt 1	
				1 VON 1	